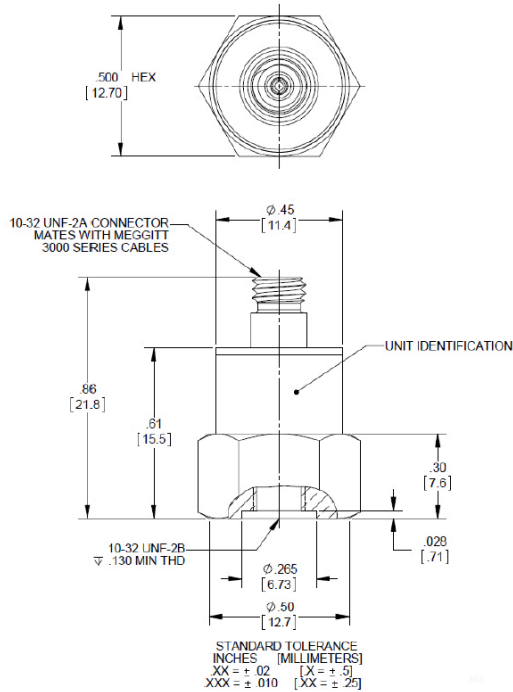


Isotron® accelerometer

Model 41A



The Endeveco® model 41A is a cost effective general purpose Isotron accelerometer designed for use in a variety of applications. The model 41A is a small hex shaped Isotron accelerometer with a 10-32 top mount connector. The unit is hermetically sealed against environmental contamination.

The Endeveco model 41A features an annular shear ceramic crystal which exhibits excellent output stability over time. The accelerometer incorporates an internal hybrid circuit with TEDS in a two-wire IEPE system which transmits its low impedance voltage output through the same cable that supplies the constant current power. Signal ground is electrically isolated from the outer case of the unit. Polarity inversion protection for the hybrid circuit is inherent in the circuit design.

The Endeveco model 41A is available in five sensitivities designated by a two digit suffix. The 41A13 has a sensitivity of 10 mV/g, the 41A14, 41A16, 41A18 and 41A19 have sensitivities of 25 mV/g, 100 mV/g, 500 mV/g and 1,000 mV/g respectively. The customer may select the mounting stud size included standard with the unit. The available stud sizes are 10-32, 1/4-28, M5 and M6. The stud size is designated following a dash after the model number.

This product is fully compliant to the European Union's Low Voltage Directive, 2006/95/EC and EMC Directive 2004/108/EC and is eligible to bear the CE Mark.

Key features

- General purpose single axis Isotron® accelerometer
- 10-32 top connector
- Wide frequency bandwidth
- Hermetically sealed
- Lightweight
- Signal ground isolated from mounting surface
- IEEE P1451.4 TEDS capable

Isotron[®] accelerometer

Model 41A

Specifications

The following performance specifications conform to ISA-RP-37.2 and are typical values, referenced at +75°F (+24°C), 4 mA, and 100 Hz, unless otherwise noted. Calibration data, traceable to National Institute of Standards and Technology (NIST), is supplied.

Dynamic characteristics	Units	41A13	41A14	41A16	41A18	41A19
Range	g	±500	±200	±50	±10	±5
Sensitivity						
±5%	mV/g	10	25	100		
±10%	mV/g				500	1000
Frequency response						
Resonance frequency						
Typical	kHz	35	35	35	30	30
Minimum	kHz	30	30	30	25	25
Amplitude response						
±5%	Hz			1 to 10 000		
±10%	Hz			1 to 12 000		
Phase response						
±5°	Hz			5 to 10 000		
Sensitivity deviation over temperature						
-67°F to +257°F [-55°C to +125°C]	%	5	5	5	10	10
Transverse sensitivity	%			≤5		
Amplitude linearity	%			<1		

Electrical characteristics

Output polarity		Acceleration directed into base produces positive output				
DC output bias voltage						
Room temperature +75°F (+24°C)	Vdc			+11.4 to +13.0		
-67°F to +257°F [-55°C to +125°C]	Vdc			+8.0 to +15.5		
Output impedance	Ω			≤100		
Noise floor						
Broadband						
1 Hz to 10 kHz	µg rms	300	200	100	60	40
Spectral						
1 Hz	µg/√Hz	250	150	80	30	30
10 Hz	µg/√Hz	30	25	10	5	5
100 Hz	µg/√Hz	6	4	3	1.3	1.3
1000 Hz	µg/√Hz	3	2	1	0.6	0.4
Grounding method		Signal ground isolated from case				
Power requirements						
Supply voltage	Vdc			+24 to +30		
Supply current	mA			+2 to +20		
Warm-up time [1]	s	2	3	5	10	15

Environmental characteristics

Temperature range, operating		-67°F to +257°F [-55°C to +125°C]				
Humidity		Hermetically sealed				
Vibration limit (sinusoidal motion) [2]	g	1000	1000	1000	600	600
Shock limit [3]	g pk			5000		
Base strain sensitivity at 250 µstrain	g/µstrain			0.001		

Physical characteristics

Dimensions				See outline drawing		
Weight, maximum	gram (oz)	8 (0.28)	8 (0.28)	8 (0.28)	10 (0.35)	10 (0.35)
Case material				Titanium		
Connector				10-32 threaded coaxial		
Mounting method				Threaded stud		
Mounting stud torque, recommended						
10-32 and M6 studs	lbf-in (Nm)			18 (2)		
M5 stud	lbf-in (Nm)			13 (1.5)		
1/4-28 stud	lbf-in (Nm)			30 (3.5)		

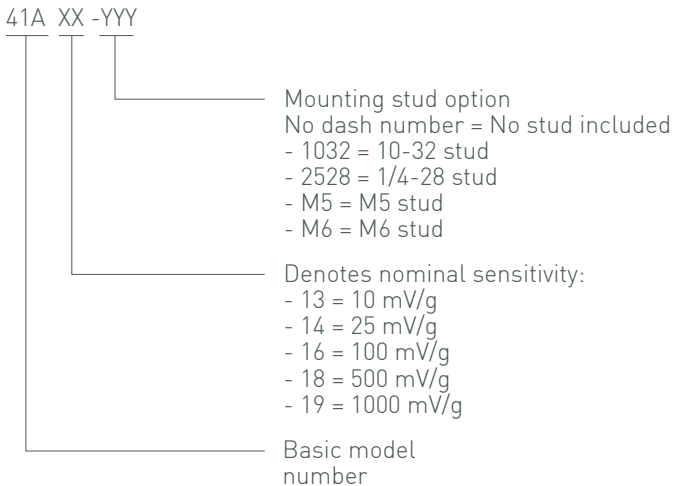
Calibration data supplied

Sensitivity	mV/g					
Frequency response				50 Hz to 10 kHz		
Amplitude response	%					
DC output bias voltage	Vdc					

Isotron[®] accelerometer

Model 41A

Model number definition



Contact

Meggitt (Orange County) Inc.

14600 Myford Road
Irvine

CA 92606, USA

Tel: +1 (949) 493 8181

Fax: +1 (949) 661 7231

www.endevco.com

www.meggitt.com

Accessories

Product	Description	41AXX	41AXX-1032	41AXX-2528	41AXX-M5	41AXX-M6
C-001-AC-002-XXX [4]	Cable assembly 10-32 to BNC	Optional	Optional	Optional	Optional	Optional
3061A-XXX [4]	Cable assembly 10-32 to BNC	Optional	Optional	Optional	Optional	Optional
42676-1	Mounting stud 10-32 to 10-32	Optional	Included	Optional	Optional	Optional
42676-2	Mounting stud 10-32 to 1/4-28	Optional	Optional	Included	Optional	Optional
42676-4	Mounting stud 10-32 to M5	Optional	Optional	Optional	Included	Optional
42676-3	Mounting stud 10-32 to M6	Optional	Optional	Optional	Optional	Included
42675-1	Adhesive mounting adapter	Optional	Optional	Optional	Optional	Optional

Notes

- DC bias within 10% of final value.
- Destructive limit.
- Destructive limit. Shock is a one-time event. Shock pulses of short duration may excite transducer resonance. Shock level above the sinusoidal vibration limit may produce temporary zero shift that will result in erroneous velocity or displacement data after integration.
- XXX designates cable assembly length in inches.
- Maintain high levels of precision and accuracy using Meggitt's factory calibration services. Call Meggitt's inside sales force at 800-982-6732 for recommended intervals, pricing and turn-around time for these service as well as quotations for other products.