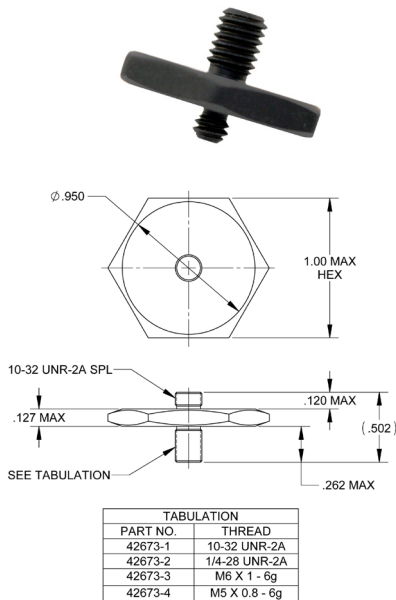


Endevco®

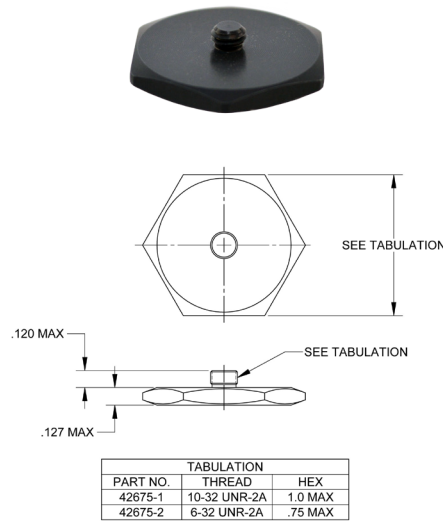
# Isotron® mounting bases and studs

Accessories for accelerometer models

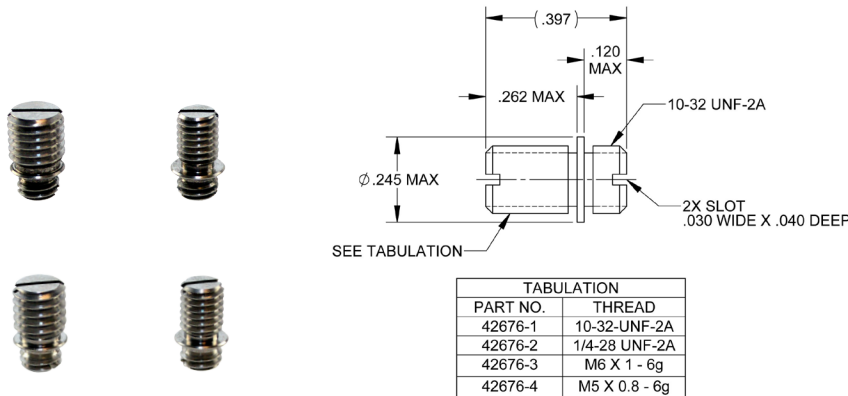
41A, 42A, 43A, 45A and 46A



42673  
ISOLATED MOUNTING ADAPTER



42675  
ISOLATED ADHESIVE MOUNTING BASE



42676  
MOUNTING STUD

## Key features

Mounting accessories compatible with Isotron general purpose accelerometer models 41A, 42A, 43A, 45A and 46A

- Isolated mounting adapters electrically isolate accelerometer from test surface
- Adhesive base mounts accelerometer to test article without applying adhesive directly to accelerometer
- Adhesive mounting base provides electrical isolation between accelerometer and test surface
- Mounting studs

## Meggitt Sensing Systems

Our measurement product competencies:

Piezoelectric accelerometers | Piezoresistive accelerometers | Isotron accelerometers | Variable capacitance accelerometers | Pressure transducers | Acoustic sensors | Electronic instruments | Calibration systems | Shakers | Modal hammers | Cable assemblies

**MEGGITT**  
smart engineering for  
extreme environments

Endevco®

# Isotron® mounting bases and studs

Accessories for accelerometer models

41A, 42A, 43A, 45A and 46A

| Isolated mounting adapters | Mounting torque    | Material          | Accelerometer compatibility |
|----------------------------|--------------------|-------------------|-----------------------------|
| 42673-1                    | 18 lbf-in [2 Nm]   | Anodized aluminum | 45A                         |
| 42673-2                    | 30 lbf-in [3.5 Nm] | Anodized aluminum | 45A                         |
| 42673-3                    | 18 lbf-in [2 Nm]   | Anodized aluminum | 45A                         |
| 42673-4                    | 13 lbf-in [1.5 Nm] | Anodized aluminum | 45A                         |
| Adhesive mounting          |                    |                   |                             |
| 42675-1                    | 18 lbf-in [2 Nm]   | Anodized aluminum | 41A, 42A, 42A, 45A          |
| Mounting studs             |                    |                   |                             |
| 42676-1                    | 18 lbf-in [2 Nm]   | Stainless steel   | 41A, 42A, 42A, 45A, 46A     |
| 42676-2                    | 30 lbf-in [3.5 Nm] | Stainless steel   | 41A, 42A, 42A, 45A, 46A     |
| 42676-3                    | 18 lbf-in [2 Nm]   | Stainless steel   | 41A, 42A, 42A, 45A, 46A     |
| 42676-4                    | 13 lbf-in [1.5 Nm] | Stainless steel   | 41A, 42A, 42A, 45A, 46A     |

## Contact

Meggitt Sensing Systems

14600 Myford Road

Irvine

CA 92606, USA

Tel: +1 (949) 493 8181

Fax: +1 (949) 661 7231

[www.endevco.com](http://www.endevco.com)

[www.meggitt.com](http://www.meggitt.com)



Continued product improvement necessitates that Meggitt reserve the right to modify these specifications without notice. Meggitt maintains a program of constant surveillance over all products to ensure a high level of reliability. This program includes attention to reliability factors during product design, the support of stringent Quality Control requirements, and compulsory corrective action procedures. These measures, together with conservative specifications have made the name Endevco synonymous with reliability. 101014

**MEGGITT**  
smart engineering for  
extreme environments