

## Model 2721B Laboratory charge amplifier

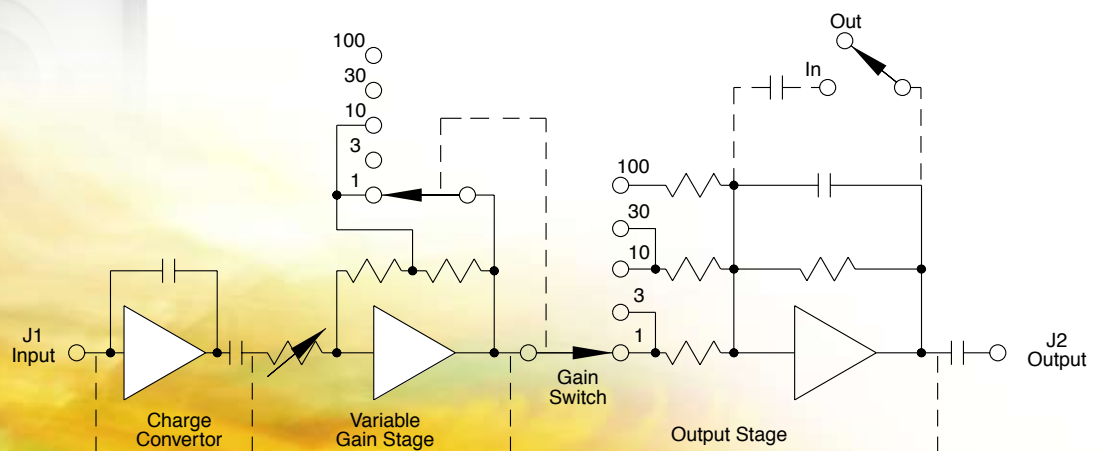
### Features

- Front panel selectable filter
- Dial-in sensitivity for set output in mVg
- Small unit for laboratory and field use

### Description

The Endevco® model 2721B is a charge amplifier for use with piezoelectric transducers with resistance as low as 1kΩ. Its small size and ± 15 VDC operation are suited to laboratory and field use. The output voltage of the amplifier is proportional to the charge at the input.

This amplifier features a flat frequency response from 3 Hz to 10 kHz, output signal decoupling, front panel switchable filter and range switching in mVg. Operation is simple, just dial for the transducer sensitivity and select the desired gain switch position. The output is then normalized in mV/g. Up to nine model 2721B's may be powered from a single Endevco model 4221A AC operated power supply.



# Model 2721B Laboratory charge amplifier

Endevco

## SPECIFICATIONS

### INPUTS

TYPE	Piezoelectric single-ended with one side connected to circuit common
IMPEDANCE	1000 $\Omega$ minimum, 30 000 pF maximum
INPUT WITHOUT OVERLOAD	30 000 pC minimum
INPUT SLEW RATE	1000 pC/ $\mu$ s

### OUTPUTS

TYPE	AC voltage, single-ended with one side connected to ground
IMPEDANCE	10 $\Omega$ $\pm$ 10% in series with at least 8 $\mu$ F
LINEAR VOLTAGE	10.0 V pk minimum for output loads of 5000 $\Omega$ or greater
LINEAR CURRENT	2.0 mA maximum
DC OFFSET	50 mVDC maximum

### TRANSFER CHARACTERISTICS

GAIN ACCURACY	$\pm$ 1% ( $\pm$ 2% with source impedance less than 10 k $\Omega$ or greater than 10 kpF)
Gain Stability vs. Temperature	$\pm$ 0.02%/°F maximum

### RANGE

High Sensitivity Transducers	100 to 1100 pC/g range	100, 300, 1k, 3k, 10k mV/g (green scale)
Medium Sensitivity Transducers	10 to 110 pC/g range	10, 30, 100, 300, 1k mV/g (red scale)
Low Sensitivity Transducer	1 to 11 pC/g range	1, 3, 10, 30, 100 mV/g (black scale)

### RESIDUAL NOISE

Q NOISE (rms) =  $\sqrt{Qa^2 + Qb^2}$  RTI or 100  $\mu$ V maximum RTO where  
 $Qa = .03$  pC rms + .008 pC rms/1nF of input shunt capacitance,  
 $Qb = 100 \cdot \sqrt{Rs} =$  pC rms (for shunt resistance [Rs] <100 k $\Omega$ )

### FREQUENCY RESPONSE

Flat within its bandwidth. The gain at the upper and lower cutoff frequency is 5% lower than the gain at 1 kHz.

#### Lower Cutoff Frequency

The lower cutoff frequency is dependent on the input shunt resistance as follows:

MAXIMUM FREQUENCY	2721B
1 Hz	N.A.
3 Hz	>100 k $\Omega$
5 Hz	10 k $\Omega$ to 100 k $\Omega$
50 Hz	1k $\Omega$ to 10 k $\Omega$
10 kHz	

#### Upper Cutoff Frequency

### ENVIRONMENTAL

TEMPERATURE	Operating: 32°F to 167°F (0°C to 75°C) Storage: -67°F to 185°F (-55°C to 85°C)
HUMIDITY	95% R.H. maximum

POWER: This Signal Conditioner has been designed for use with the ENDEVCO Model 4221A Power Supply.

SUPPLY VOLTAGE	$\pm$ 15 VDC ( $\pm$ 14 VDC minimum, $\pm$ 18 VDC maximum)
SUPPLY CURRENT	$\pm$ 7.5 mA DC ( $\pm$ 9 mA maximum)

### PHYSICAL

DIMENSIONS	3.00" h x 1.75" w x 5.125" d (76.2 mm x 44.5 mm x 130.2 mm)
WEIGHT	1 lb (450 gm) typical

### CONNECTORS

Input	Microdot type 10-32
Output	BNC type coaxial receptacle
Power	Terminal strip with three #2-56 screw terminals.

### FRONT PANEL CONTROLS

Range	Five position rotary switch selects the mV output per g input range.
Sensitivity	A potentiometer and a turns counting dial set transducer pC/g sensitivity
Filter Enable/Disable Switch	Toggle switch selects an internal, single pole low pass filter.

### ACCESSORIES

Instruction Manual	
21732	Accessory Kit includes:
EH200	Screw, Mach, #4-40 x 1/4" (4 each)
EHR77	Rubber Stand-off Feet (4 Each)

### OPTIONS

4221A	Power Supply
-------	--------------

Continued product improvement necessitates that Endevco reserve the right to modify these specifications without notice. Endevco maintains a program of constant surveillance over all products to ensure a high level of reliability. This program includes attention to reliability factors during product design, the support of stringent Quality Control requirements, and compulsory corrective action procedures. These measures, together with conservative specifications have made the name Endevco synonymous with reliability.

©ENDEVCO CORPORATION. ALL RIGHTS RESERVED 30700 RANCHO VIEJO ROAD, SAN JUAN CAPISTRANO, CA 92675 USA  
 (800) 982-6732 • (949) 493-8181 fax (949) 661-7231 • www.endevco.com • Email: applications@endevco.com

0805



**MEGGITT**  
 smart engineering for  
 extreme environments