

Model 2271A / AM20 Piezoelectric accelerometer

Features

- **NEW!** 2271A-R available as replacement sensor
- Low temperature operation
- Hermetically sealed
- Ground isolated
- Flat temperature response (-269°C to +260°C)
- Vibration at cryogenic temperatures

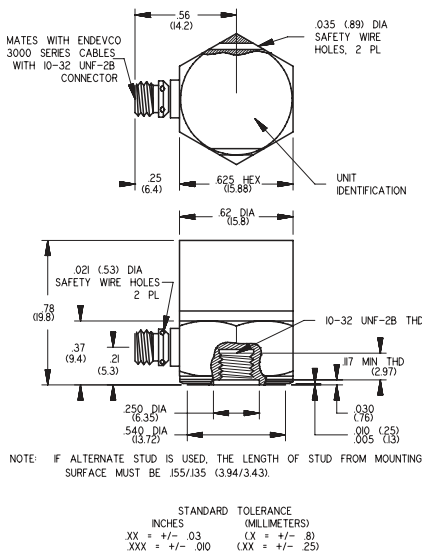


Description

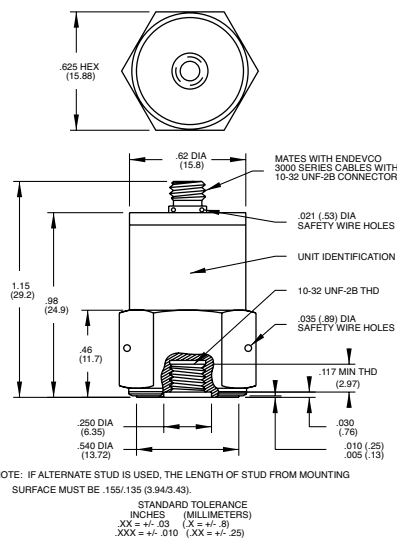
The Endevco® model 2271A/AM20 is a wide temperature range piezoelectric accelerometer designed to measure vibration in cryogenic temperature applications. The unit is hermetically sealed and is ideal for use in extreme environmental conditions. This accelerometer offers an unusually flat temperature response into a wide temperature range. The accelerometer is a self-generating device that requires no external power source for operation.

Model 2271A/AM20 features Endevco's Piezite® type P-10 crystal element operating in compression mode. This unit exhibits excellent output sensitivity stability over time. Signal ground is isolated from the outer case of the unit. The 2271A features a 10-32 side-connector and the 2271AM20 has a 10-32 top connector. A low-noise coaxial cable is supplied for error-free operation.

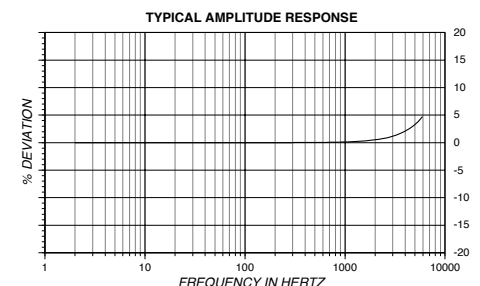
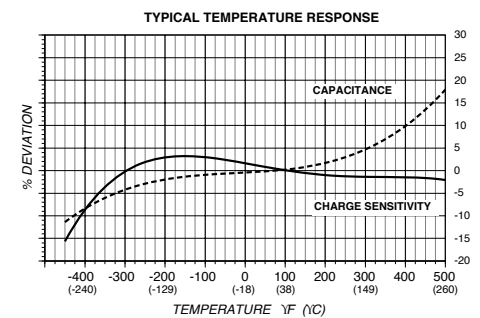
Endevco signal conditioner models 133, 2771C, 2775B or OASIS 2000 computer-controlled system are recommended for use with these high impedance accelerometers.



2271A



2271AM20



Model 2271A / AM20 Piezoelectric accelerometer

Endevco

Specifications

The following performance specifications conform to ISA-RP-37.2 (1964) and are typical values, referenced at +75°F (+24°C), 4 mA and 100 Hz, unless otherwise noted. Calibration data, traceable to National Institute of Standards and Technology (NIST), is supplied

Dynamic characteristics

	Units	
Charge sensitivity		
Typical	pC/g	11.5
Minimum	pC/g	10
Frequency response		See typical amplitude response
Resonance frequency	kHz	27
Amplitude response [1]		
±5%	Hz	2 to 4000
±1 dB (ref)	Hz	1 to 8000
Temperature response [3]		See typical curve
Transverse sensitivity	%	≤3
Amplitude linearity	%	1
Per 1000g, 0 to 10 000 g		

Electrical characteristics

Output polarity		Acceleration directed into base of unit produces positive output
Resistance	GΩ	≥10
Resistance at +500°F (+260°C)	MΩ	≥100
Isolation	GΩ	1
Capacitance	pF	2000
Grounding		Signal return isolated from case

Environmental characteristics

Temperature range		-452°F to +500°F (-269°C to +260°C)
Humidity		Hermetically sealed
Sinusoidal vibration limit	g pk	1000
Shock limit [2]	g pk	10 000
Base strain sensitivity	equiv. g pk/μstrain	0.002
Electromagnetic sensitivity	equiv. g rms/gauss	0.0003

Physical characteristics

Dimensions		See outline drawing
Weight	gm (oz)	27 (0.95)
Case material		Stainless steel
Connector		10-32 UNF-2A Thd mates with Endevco 3000 series cable or equivalent
2271A side-connector		
2271AM20 top-connector		
Mounting torque	lbf-in (Nm)	18 (2)

Calibration

Supplied:		
Frequency response	%	20 to 6000 Hz
	dB	6 kHz to 40 kHz
Sensitivity	pC/g	
Maximum transverse sensitivity	%	
Capacitance	pF	

Accessories

Product	Description	2271A/AM20	2271A-R
3090DV-120	Cable assembly, 10 ft	Included	Optional
2981-12	Mounting stud, 10-32 to 10-32	Included	Included
EH464	Hex key wrench	Included	Optional
2981-4	Mounting stud, 10-32 to M5	Optional	Optional
2771C	In-line charge convertor	Optional	Optional
2950	Triaxial mounting block	Optional	Optional
133	Signal conditioner	Optional	Optional
2775B	Signal conditioner	Optional	Optional
4990A-1	OASIS 2000 computer-controlled system	Optional	Optional

Notes:

- Low-end response of the transducer is a function of its associated electronics.
- Short duration shock pulses, such as those generated by metal-to-metal impacts, may excite transducer resonance and cause linearity errors. Send for TP290 for more details.
- Exposure to rapid temperature change greater than 100°F (38°C) per minute may cause the device to produce spurious high frequency discharges for several minutes.
- Maintain high levels of precision and accuracy using Endevco's factory calibration services. Call Endevco's inside sales force at 800-982-6732 for recommended intervals, pricing and turn-around time for these services as well as for quotations on our standard products.

Continued product improvement necessitates that Endevco reserve the right to modify these specifications without notice. Endevco maintains a program of constant surveillance over all products to ensure a high level of reliability. This program includes attention to reliability factors during product design, the support of stringent Quality Control requirements, and compulsory corrective action procedures. These measures, together with conservative specifications have made the name Endevco synonymous with reliability.

© ENDEVCO CORPORATION. ALL RIGHTS RESERVED 30700 RANCHO VIEJO ROAD, SAN JUAN CAPISTRANO, CA92675 USA
[800] 982-6732 • [949] 493-8181 fax [949] 661-7231 • www.endevco.com • Email: applications@endevco.com

061509



MEGGITT
smart engineering for
extreme environments